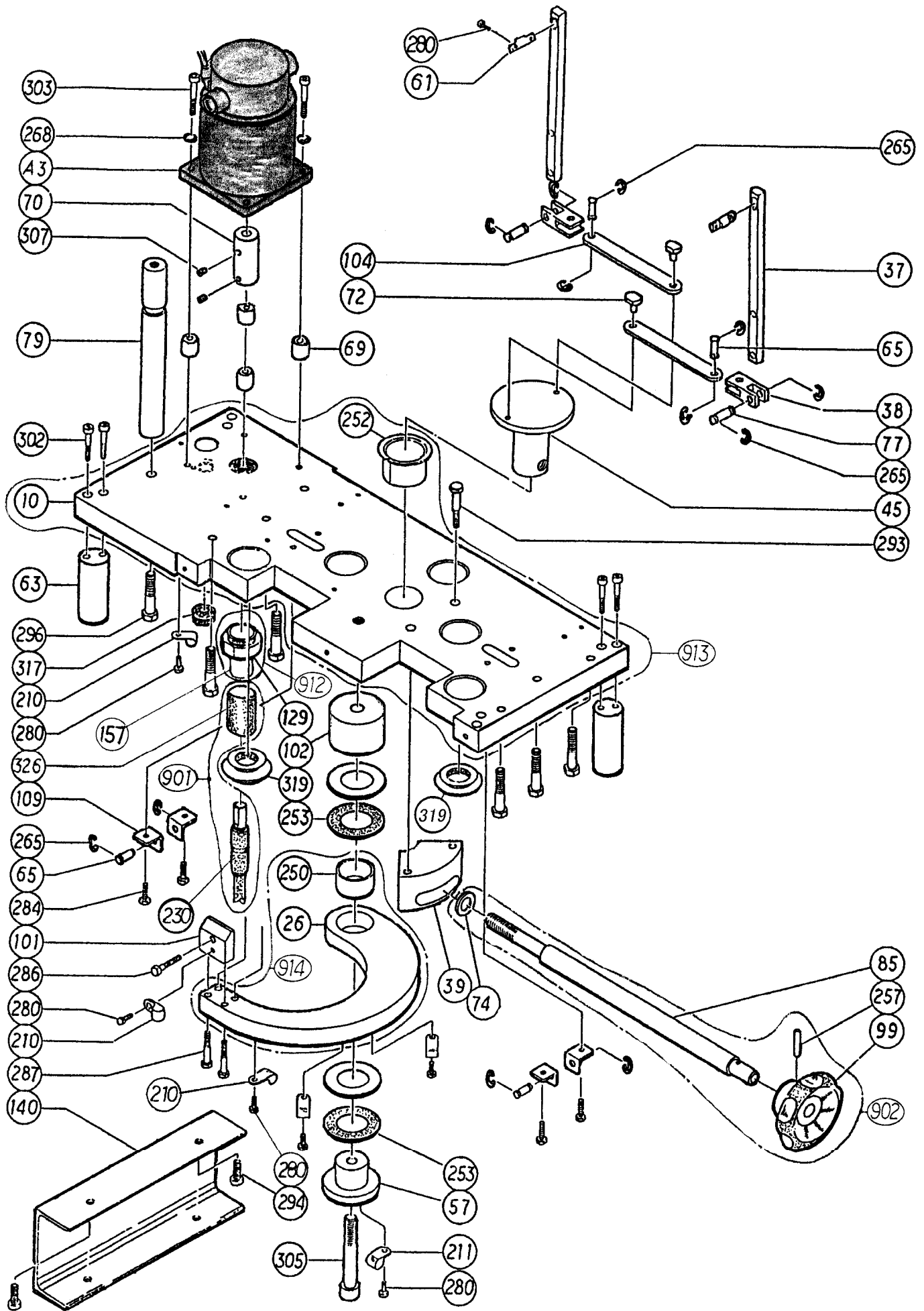


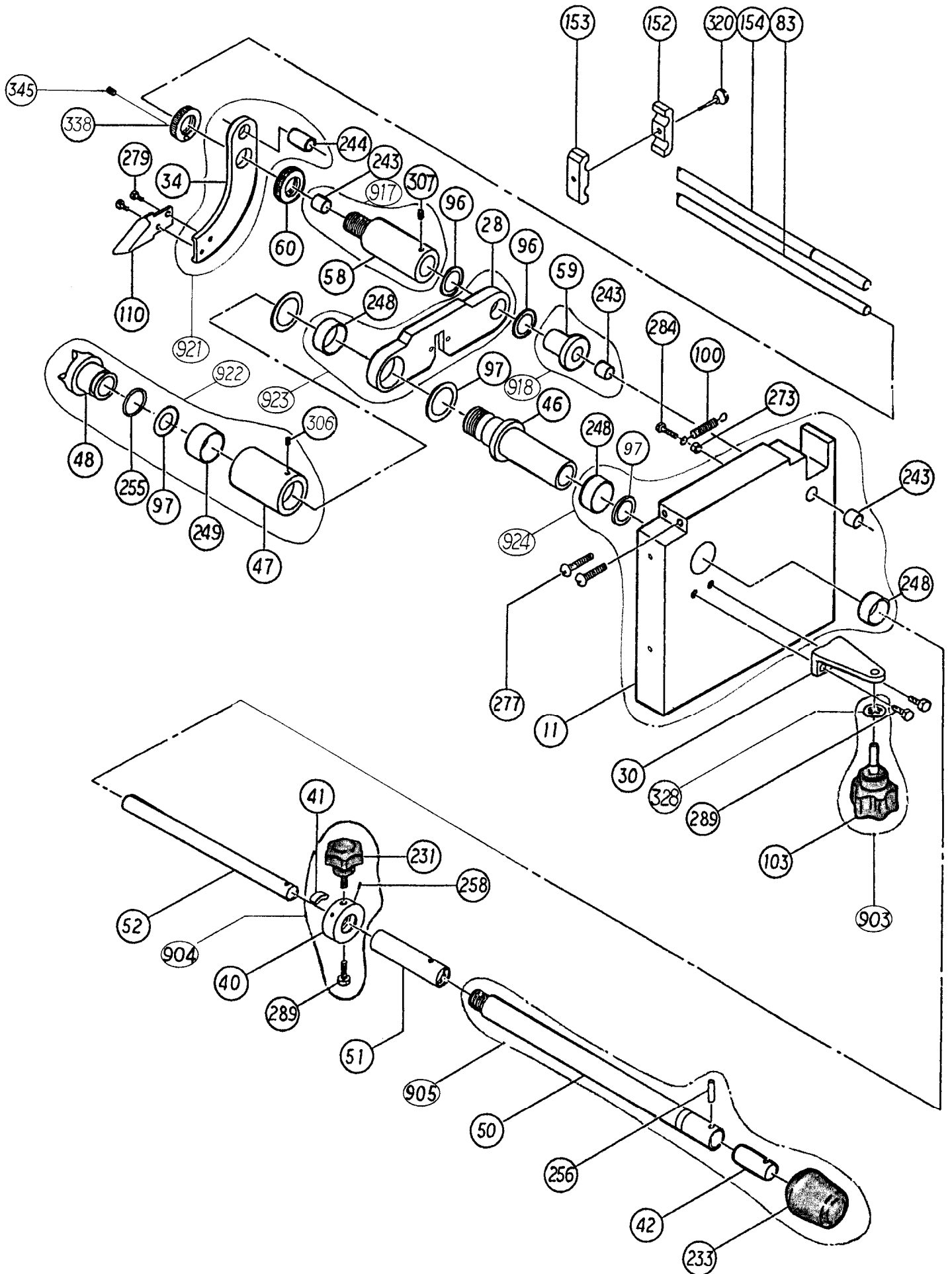
MODEL CP-11

2003. 12. 25 NO.6



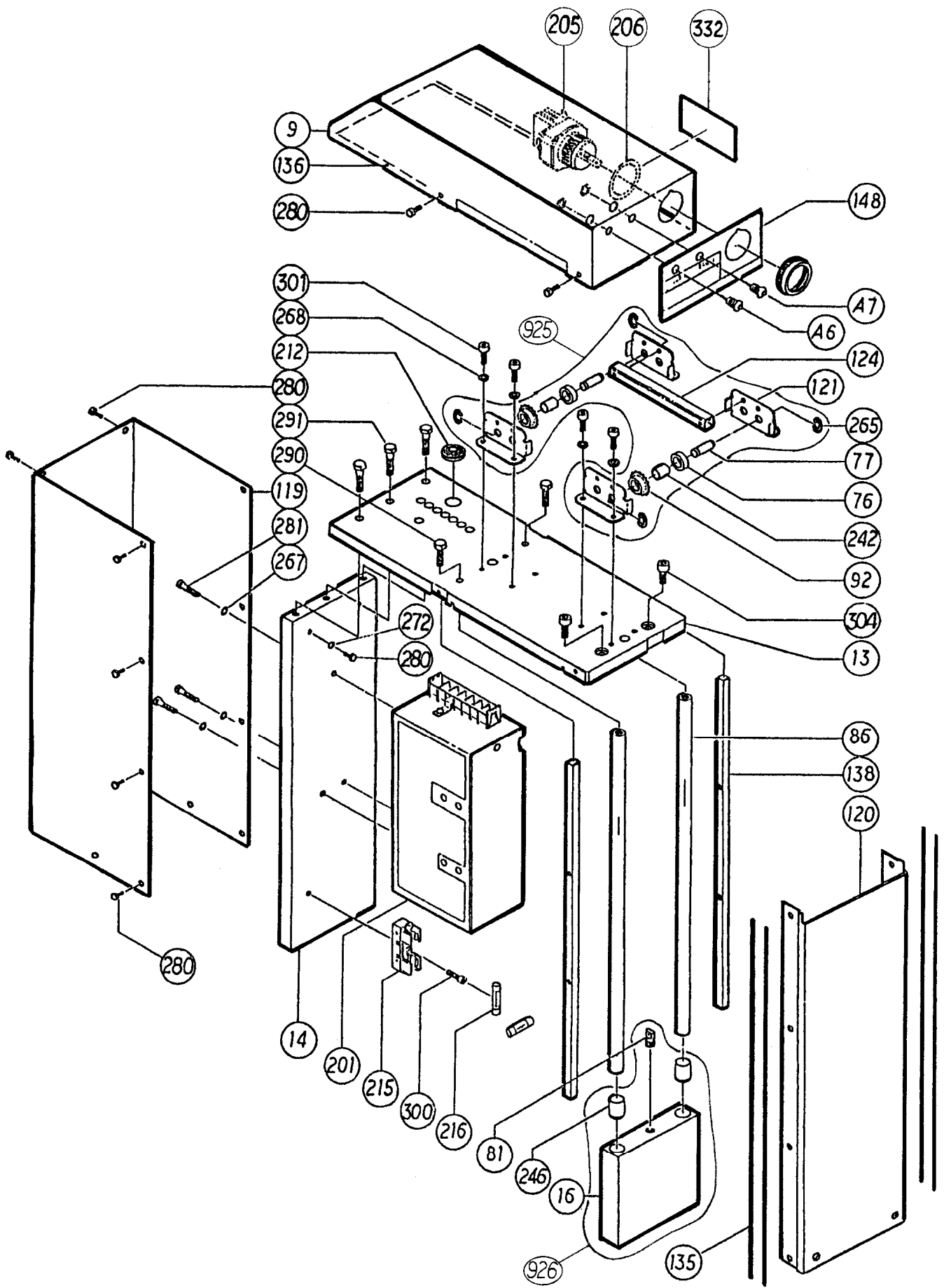
MODEL CP-11

2003. 12. 25 NO.6



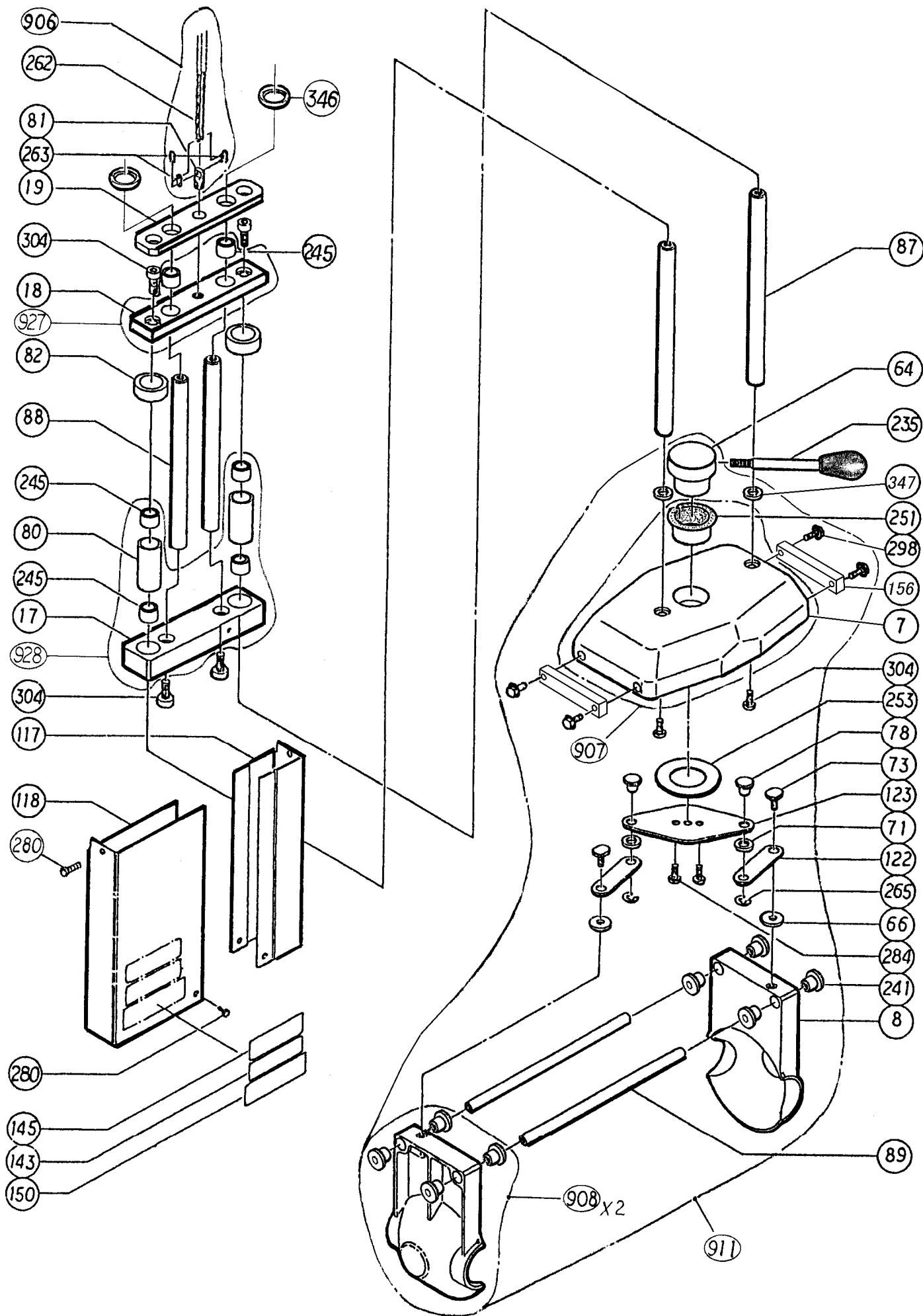
MODEL CP-11

2003. 12. 25 NO.6



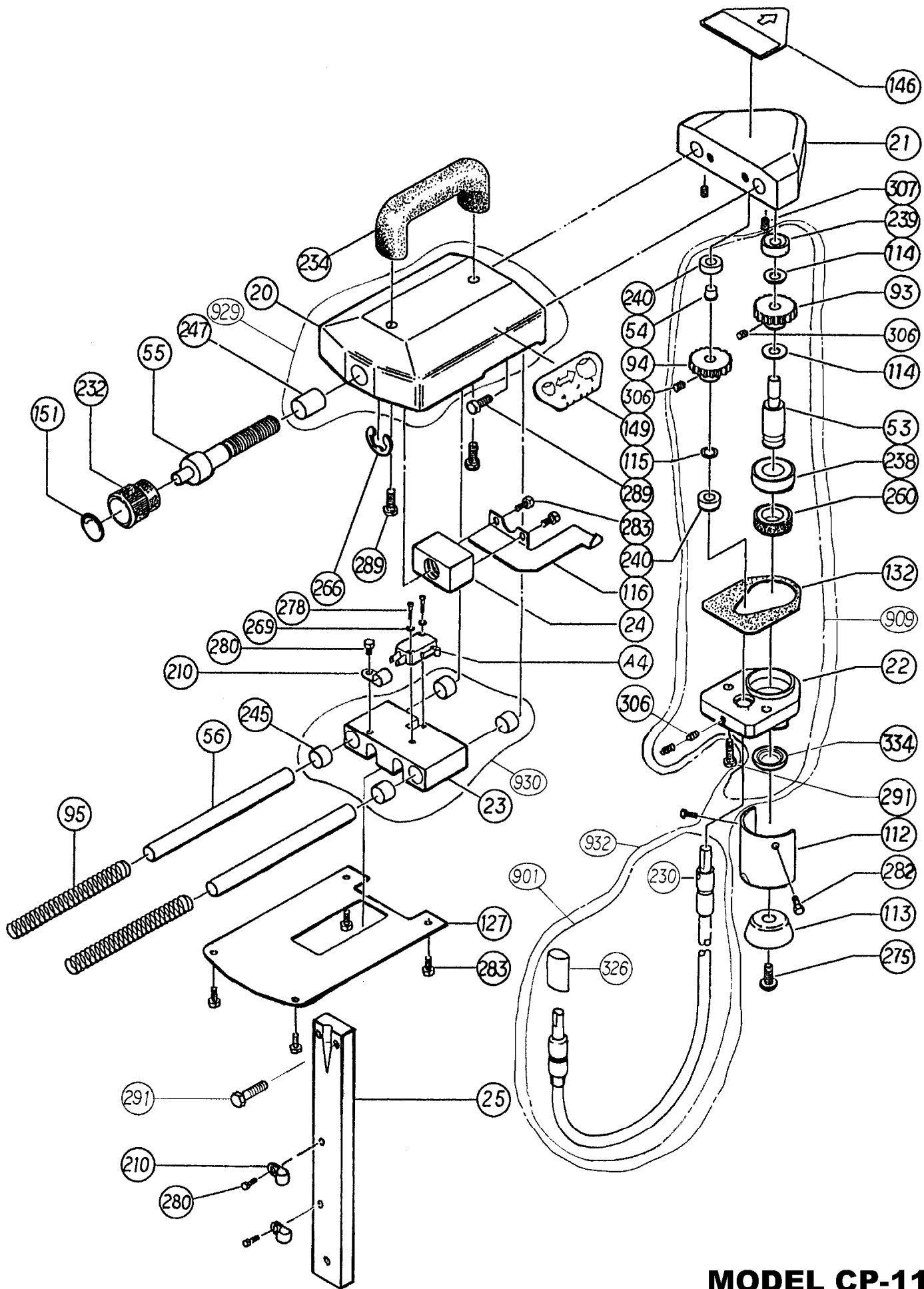
MODEL CP-11

2003. 12. 25 NO.6



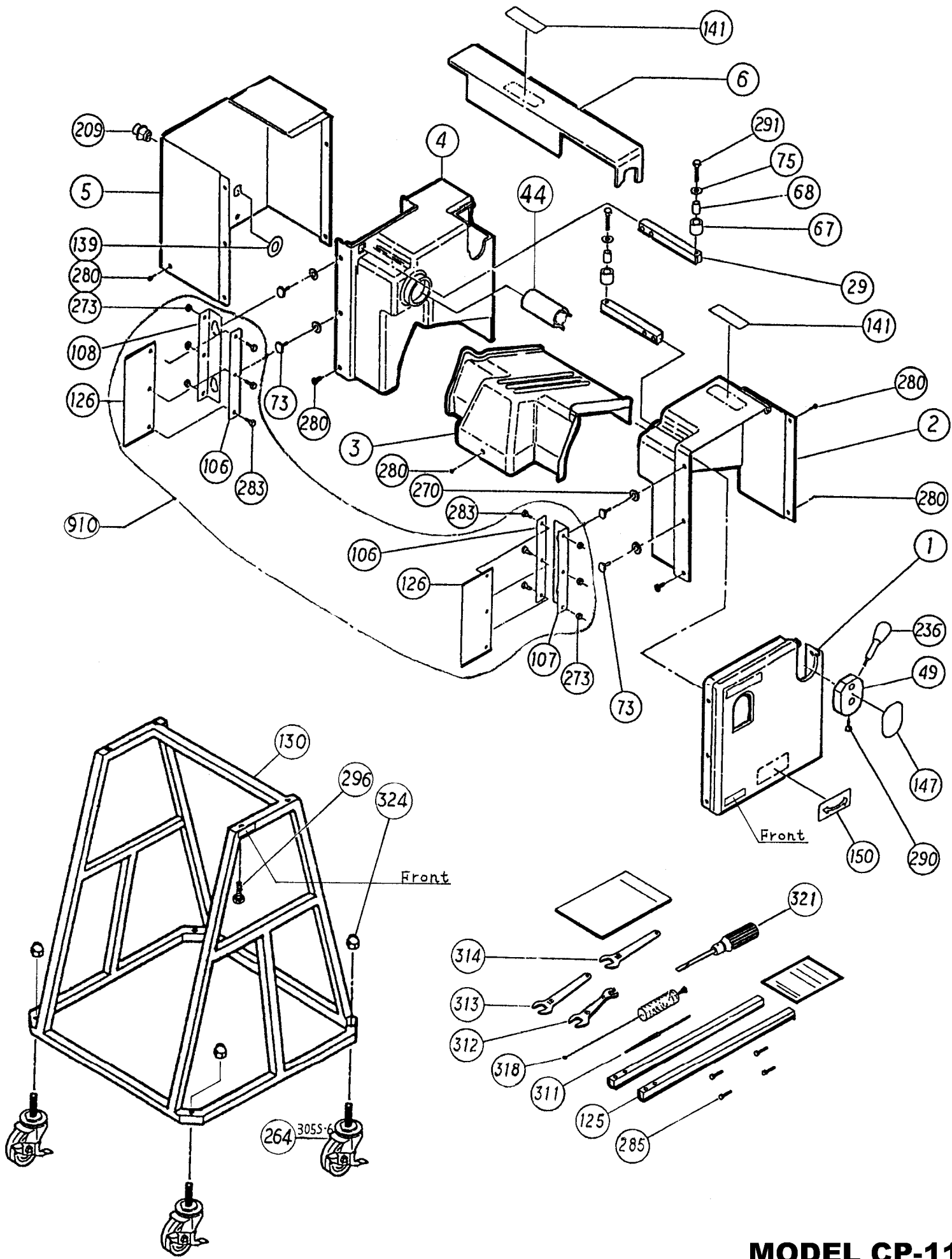
MODEL CP-11

2003. 12. 25 NO.6



MODEL CP-11

2003. 12. 25 NO.6



MODEL CP-11
 2003. 12. 25 NO.6